

32 ft x 8 A3 LIGHT ASSEMBLY

ISSUE
32 ft x 8

2/12/17

Agnetix A3-1200-001-0717
180V/265V CA Max @ 277V/1265W Max
Suitable for Wet Locations
Convenient Aux Emplacements Mouilles

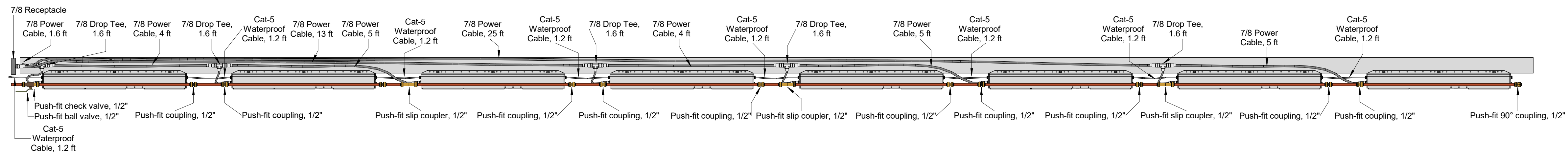
Drawings provided are concept designs and are not to be considered sufficient for submittal or construction documents, contract use or construction drawings.

Drawings and designs are copyright protected and are not for use on projects other than intended address.

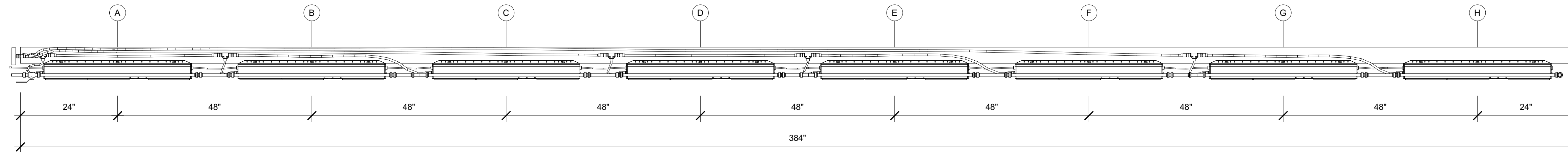
Any drawings used for permitting or construction must be stamped by the relevant design professional or engineer and approved for code compliance by the relevant municipal agency or plan check agency.

RFI's are to be submitted to sales@agnetix.com

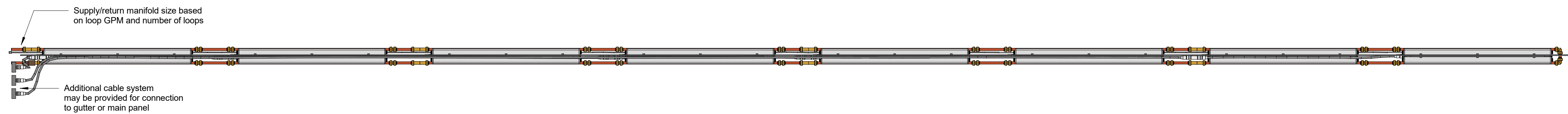
X900



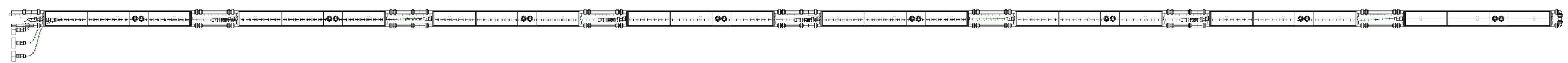
1 Model View
3/4" = 1'-0"



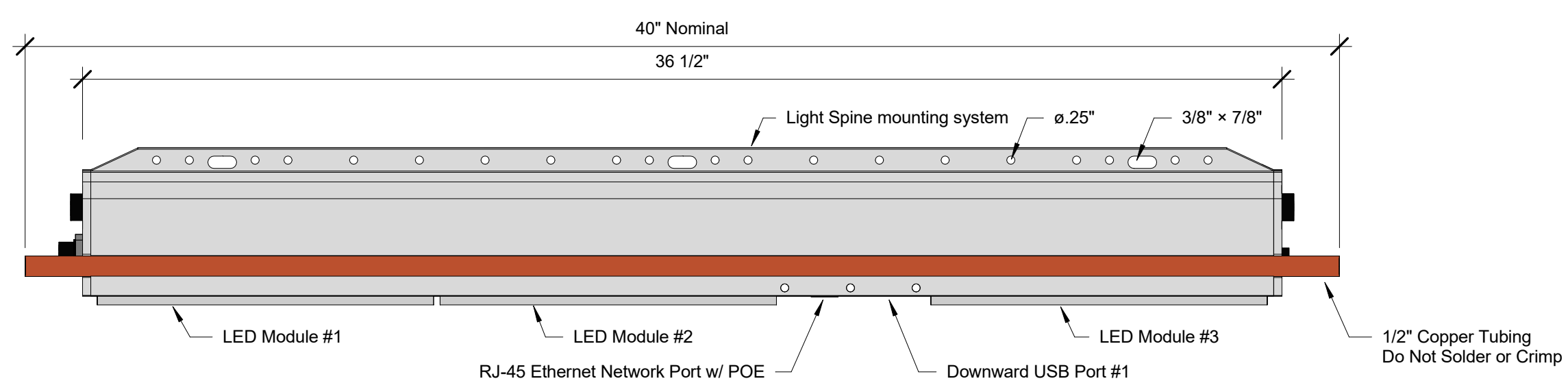
2 Dimensions
3/4" = 1'-0"



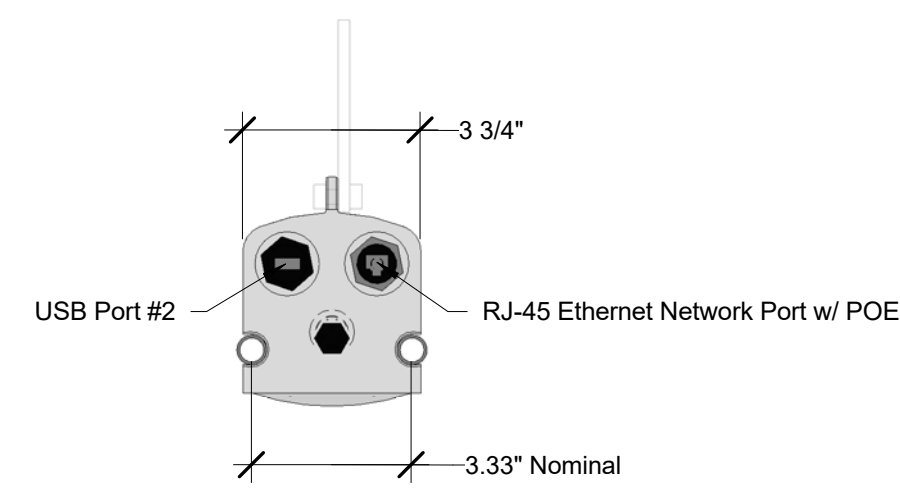
3 Top View
3/4" = 1'-0"



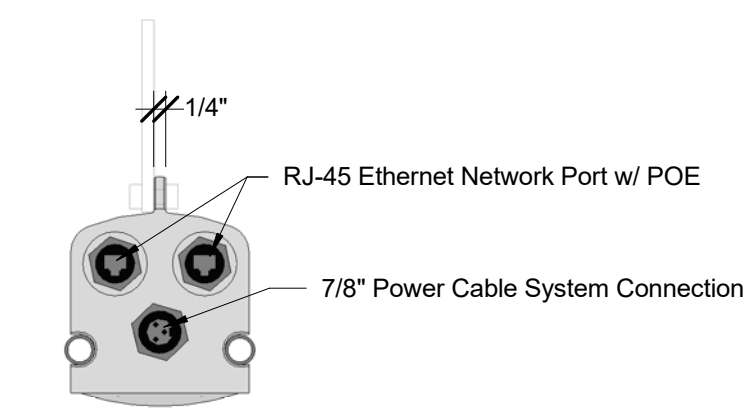
4 RCP
3/4" = 1'-0"



5 Side View
3" = 1'-0"



6 End View A
3" = 1'-0"



7 End View B
3" = 1'-0"

Parts Schedule					
Type	Model	Count	Manufacturer	OmniClass Title	OmniClass Number
AGNETIX A3	1200-001	8	Agnetix	Downlights	23.80.70.11.14.11
5/16" Square Bolt		24			

Cable Schedule				
Item Name	Part Number (P/N)	Description	Count	
Cat-5 Waterproof Cable, 1.2 ft	CBL-CAT5-0037-WW	RJ45 cable WM to WM 0.37m	8	
7/8 Drop Tee, 1.6 ft	CBL-3M22-0050-T	7/8 T-Splitter, M-F, 0.5m to 7/8 F	5	
7/8 Power Cable, 1.6 ft	CBL-3M22-0050-MF	7/8 M-F 0.50m 14AWG	1	
7/8 Power Cable, 4 ft	CBL-3M22-0122-MF	7/8 M-F 1.22m 14AWG	2	
7/8 Power Cable, 5 ft	CBL-3M22-0152-MF	7/8 M-F 1.52m 14AWG	3	
7/8 Power Cable, 13 ft	CBL-3M22-0395-MF	7/8 M-F 3.95m 14AWG	1	
7/8 Power Cable, 25 ft	CBL-3M22-0762-MF	7/8 M-F 7.62m 14AWG	1	
7/8 Receptacle	CON-3M22-0100-FP	7/8 F panel mount, crimp, Rear, 1.00m, 14AWG	3	

Pipe Fitting Schedule	
Type	Count
Push-fit 90° coupling, 1/2"	2
Push-fit ball valve, 1/2"	1
Push-fit check valve, 1/2"	1
Push-fit coupling, 1/2"	22
Push-fit slip coupler, 1/2"	6

Pipe Schedule			
Diameter	Material	Length	Count
1/2"	Copper	0' - 2 1/2"	1
1/2"	Copper	0' - 3 5/8"	2
1/2"	Copper	0' - 5 3/8"	6
1/2"	Copper	0' - 7 7/8"	8