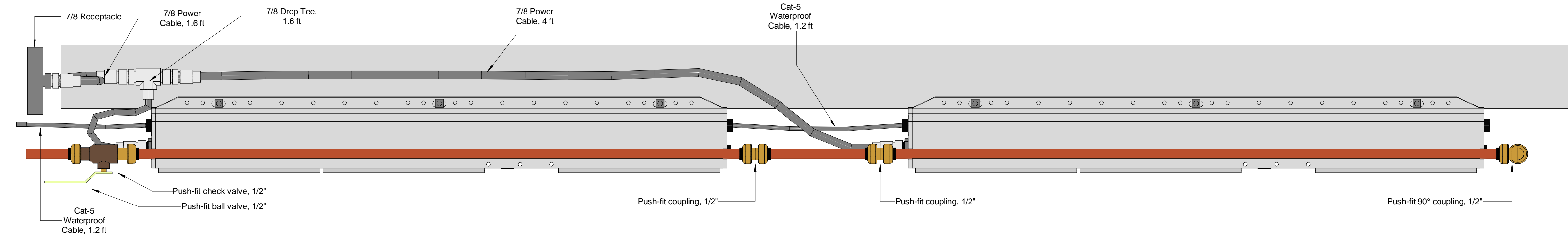
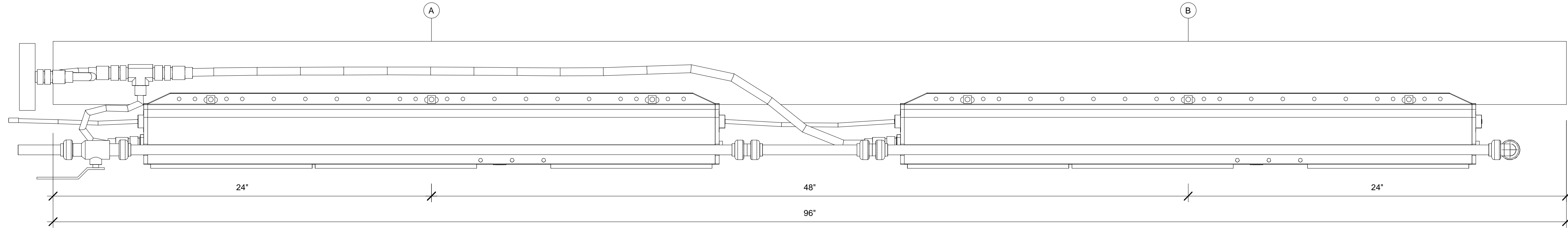


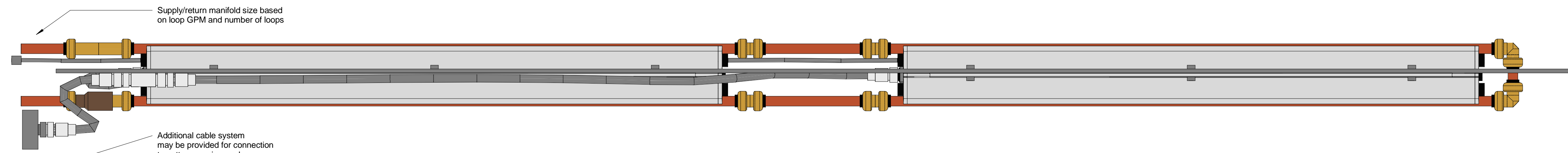
8' x 2' A3 LIGHT ASSEMBLY



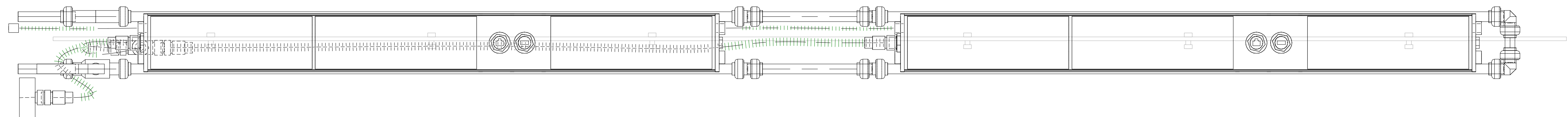
1 Model View
3" = 1'-0"



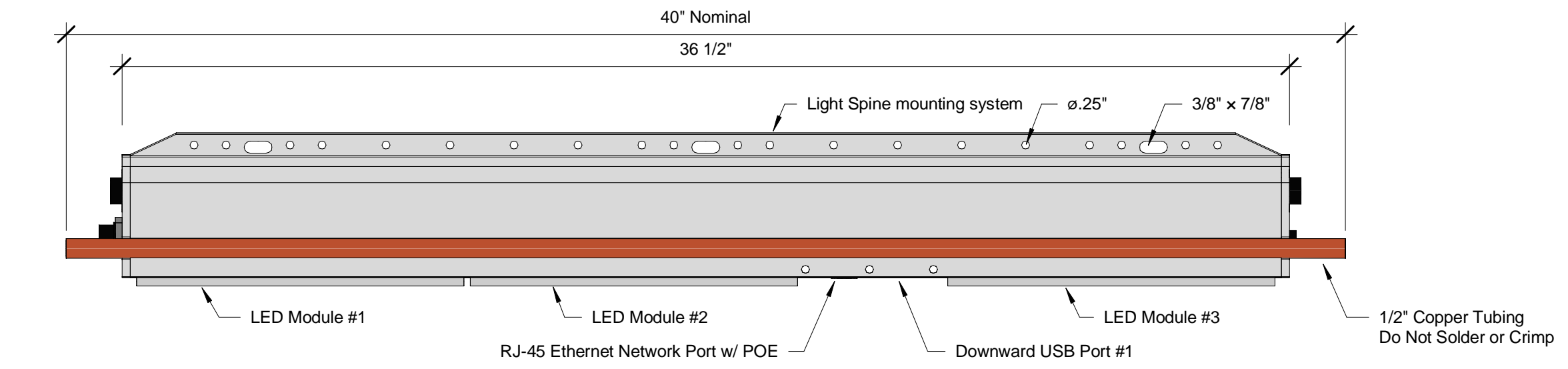
2 Dimensions
3" = 1'-0"



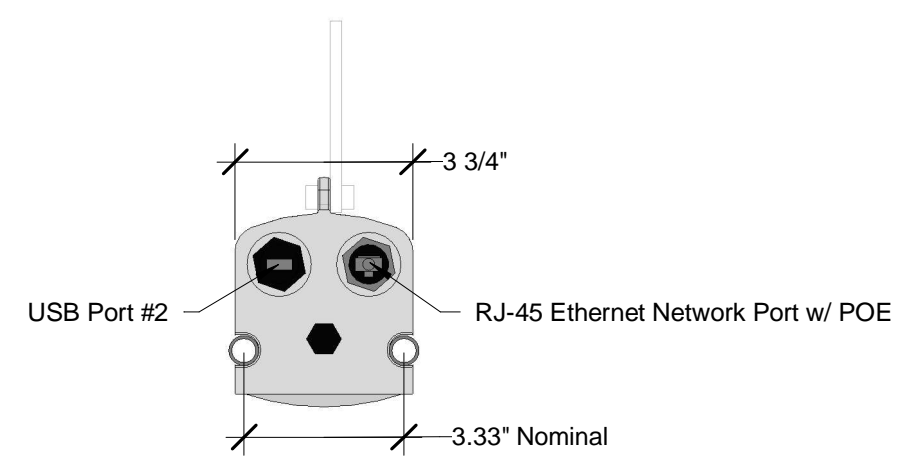
3 Top View
3" = 1'-0"



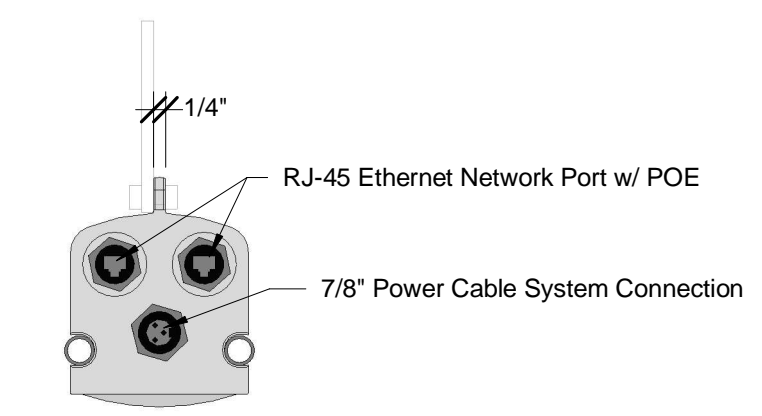
4 RCP
3" = 1'-0"



5 Side View
3" = 1'-0"



6 End View A
3" = 1'-0"



7 End View B
3" = 1'-0"

Parts Schedule					
Type	Model	Count	Manufacturer	OmniClass Title	OmniClass Number
AGNETIX A3	1200-001	2	Agnetix	Downlights	23.80.70.11.14.11
5/16" Square Bolt		6			

Cable Schedule				
Item Name	Part Number (P/N)	Description	Count	
Cat-5 Waterproof Cable, 1.2 ft	CBL-CAT5-0037-WW	RJ45 cable WM to WM 0.37m	2	
7/8 Drop Tee, 1.6 ft	CBL-3M22-0050-T	7/8 T-Splitter, M-F, 0.5m to 7/8 F	1	
7/8 Power Cable, 1.6 ft	CBL-3M22-0050-MF	7/8 M-F 0.50m 14AWG	1	
7/8 Power Cable, 4 ft	CBL-3M22-0122-MF	7/8 M-F 1.22m 14AWG	1	
7/8 Receptacle	CON-3M22-0100-FP	7/8 F panel mount, crimp, Rear, 1.00m, 14AWG	1	

Pipe Fitting Schedule	
Type	Count
Push-fit 90° coupling, 1/2"	2
Push-fit ball valve, 1/2"	1
Push-fit check valve, 1/2"	1
Push-fit coupling, 1/2"	4

Pipe Schedule			
Diameter	Material	Length	Count
1/2"	Copper	0' - 2 1/2"	1
1/2"	Copper	0' - 3 5/8"	2
1/2"	Copper	0' - 7 7/8"	2

ISSUE
8' x 2' 1/24/18

Agnetix A3-1200-001-0717
1800/2650 CA Max of 2771/1265W Max
Suitable for Wet Locations
Convient Aux Emplacements Mouilles

Drawings provided are concept designs and are not to be considered sufficient for submittal or construction documents, contract use or construction drawings.
Drawings and designs are copyright protected and are not for use on projects other than intended address.

Any drawings used for permitting or construction must be stamped by the relevant design professional or engineer and approved for code compliance by the relevant municipal agency or plan check agency.

RFIs are to be submitted to sales@agnetix.com