

20' x 4 A3 LIGHT ASSEMBLY

ISSUE
20' x 4

1/23

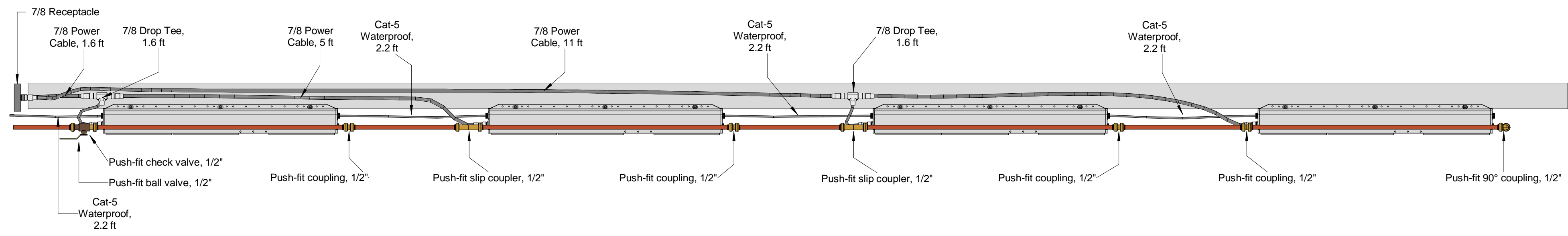
Agnetix A3-1200-001-0717
1800/265V CA Max of 277V/3265W Max
Suitable for Wet Locations
Convient Aux Emplacements Mouilles

Drawings provided are concept designs and are not to be considered sufficient for submittal or construction documents, contract use or construction drawings.

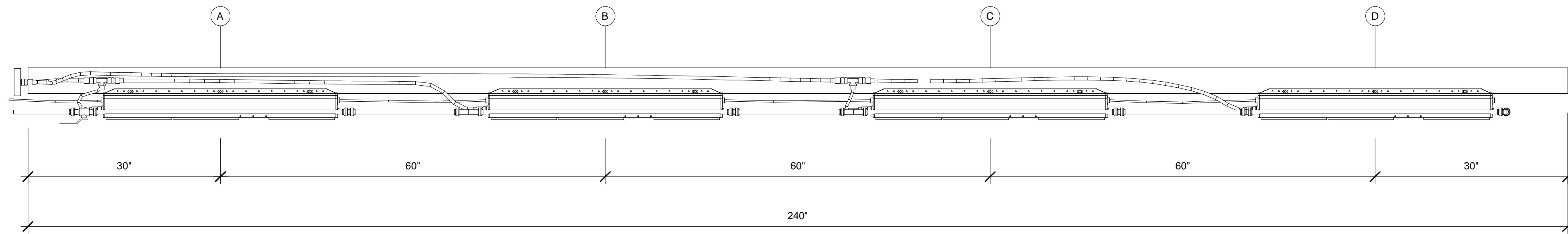
Drawings and designs are copyright protected and are not for use on projects other than intended address.

Any drawings used for permitting or construction must be stamped by the relevant design professional or engineer and approved for code compliance by the relevant municipal agency or plan check agency.

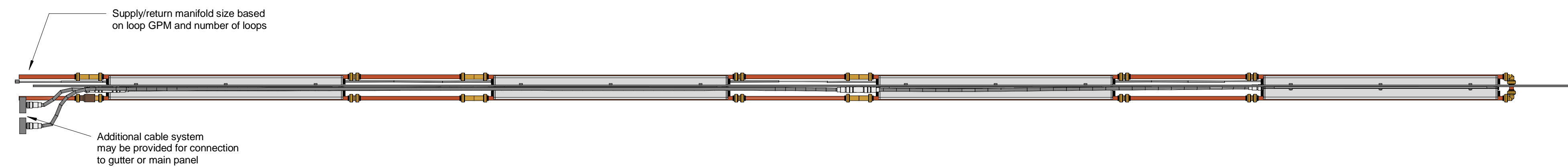
RFI's are to be submitted to sales@agnetix.com



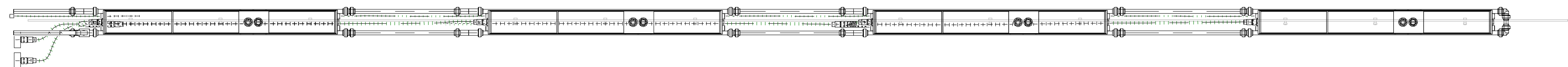
1 Model View
1" = 1'-0"



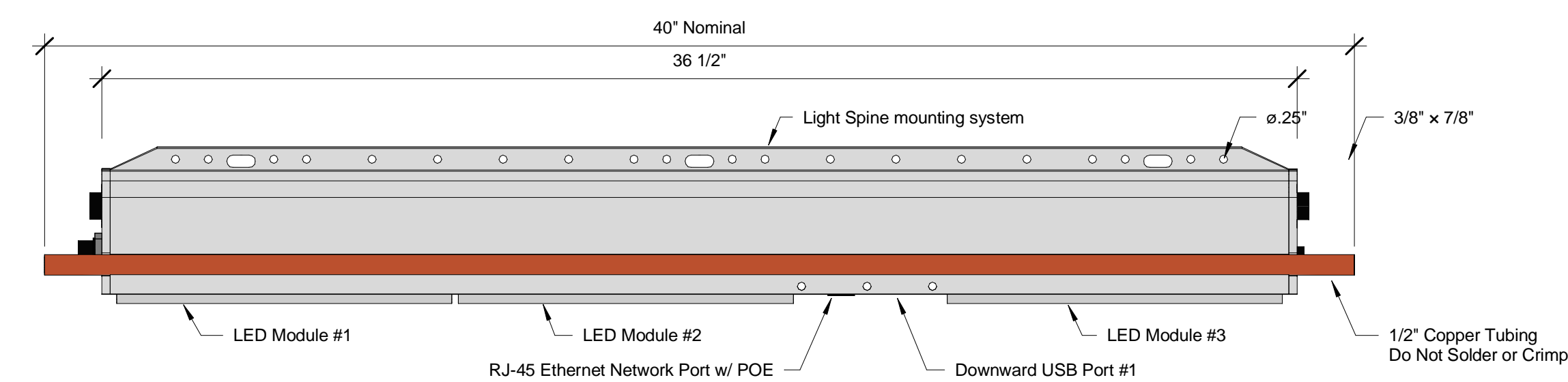
2 Dimensions
1" = 1'-0"



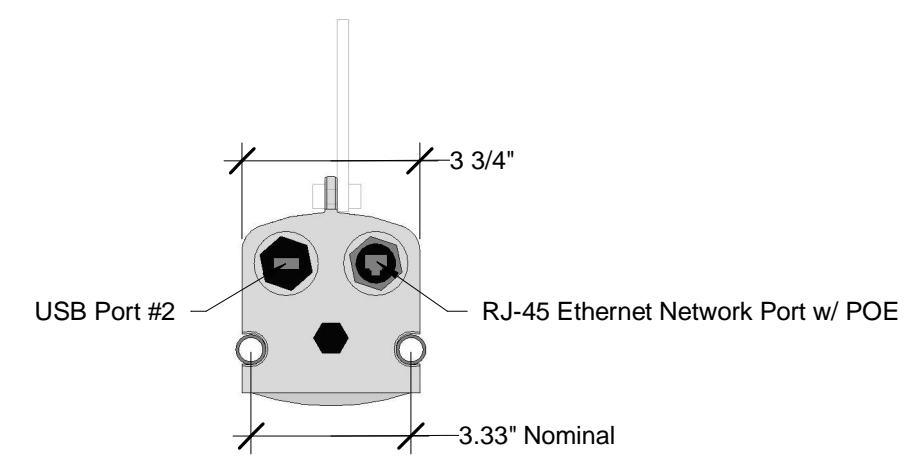
3 Top View
1" = 1'-0"



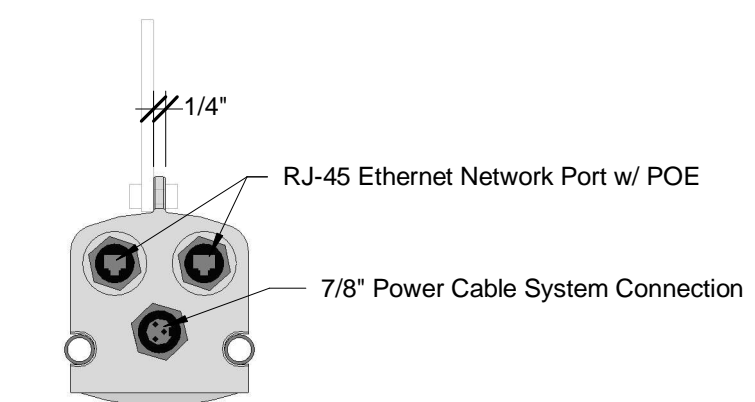
4 RCP
1" = 1'-0"



5 Side View
3" = 1'-0"



6 End View A
3" = 1'-0"



7 End View B
3" = 1'-0"

Parts Schedule					
Type	Model	Count	Manufacturer	OmniClass Title	OmniClass Number
AGNETIX A3	1200-001	4	Agnetix	Downlights	23.80.70.11.14.11
5/16" Square Bolt		12			

Cable Schedule				
Item Name	Part Number (P/N)	Description	Count	
Cat-5 Waterproof, 2.2 ft	CBL-CAT5-0067-WW	RJ45 cable WM to WM 0.67m	4	
7/8 Drop Tee, 1.6 ft	CBL-3M22-0050-T	7/8 T-Splitter, M-F, 0.5m to 7/8 F	2	
7/8 Power Cable, 1.6 ft	CBL-3M22-0050-MF	7/8 M-F 0.50m 14AWG	1	
7/8 Power Cable, 5 ft	CBL-3M22-0152-MF	7/8 M-F 1.52m 14AWG	1	
7/8 Power Cable, 6 ft	CBL-3M22-0183-MF	7/8 M-F 1.83m 14AWG	1	
7/8 Power Cable, 11 ft	CBL-3M22-0335-MF	7/8 M-F 3.35m 14AWG	1	
7/8 Receptacle	CON-3M22-0100-FP	7/8 F panel mount, crimp, Rear, 1.00m, 14AWG	2	

Pipe Fitting Schedule	
Type	Count
Push-fit 90° coupling, 1/2"	2
Push-fit ball valve, 1/2"	1
Push-fit check valve, 1/2"	1
Push-fit coupling, 1/2"	8
Push-fit slip coupler, 1/2"	4

Pipe Schedule			
Diameter	Material	Length	Count
1/2"	Copper	0' - 2 1/2"	1
1/2"	Copper	0' - 9 5/8"	2
1/2"	Copper	1' - 5 3/8"	4
1/2"	Copper	1' - 7 7/8"	2